

# My Record of Knitting Projects

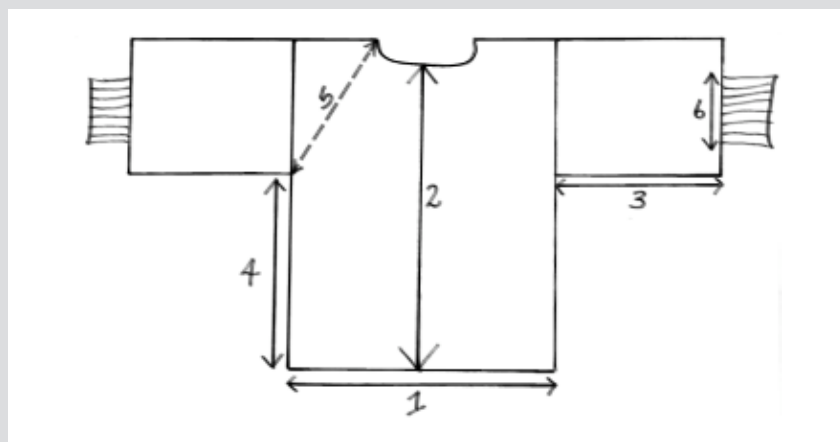
## Project

|             |                      |                               |
|-------------|----------------------|-------------------------------|
| Project No. | <input type="text"/> |                               |
| Yarn        | <input type="text"/> |                               |
| Needle Size | <input type="text"/> |                               |
| Tension     | <input type="text"/> | sts. per <input type="text"/> |

|                |                      |
|----------------|----------------------|
| Finished Width | <input type="text"/> |
|----------------|----------------------|

|                 |                      |
|-----------------|----------------------|
| Finished Length | <input type="text"/> |
|-----------------|----------------------|

Finished  
Measurements



Notes for next time: